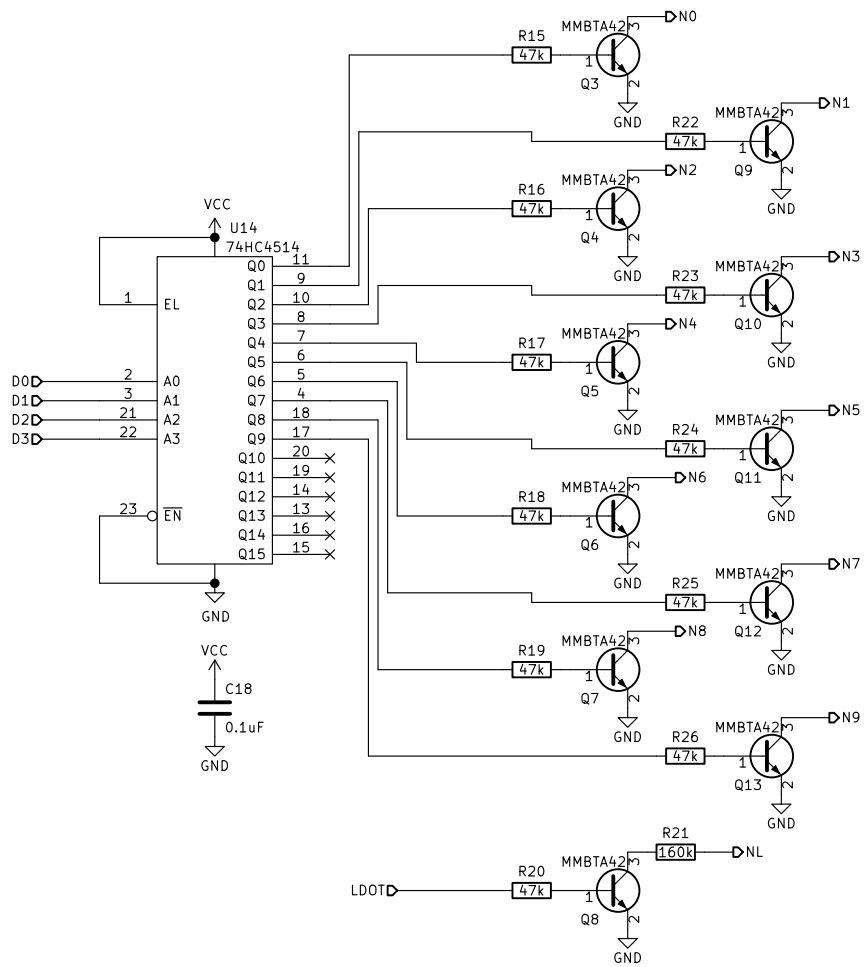


Copyright © John Tsiombikas <nuclear@member.fsf.org>  
 Free hardware design. License: GNU GPLv3 (or later)  
<https://github.com/jtsiomb/nixiedisp>

Sheet: /  
 File: nixiedisp.sch  
**Title: USB nixie tube display**  
 Size: A4 Date: 2021-01-19  
 KiCad E.D.A. kicad 5.1.8+dfsg1-1+b1

Rev: 2  
 Id: 1/8

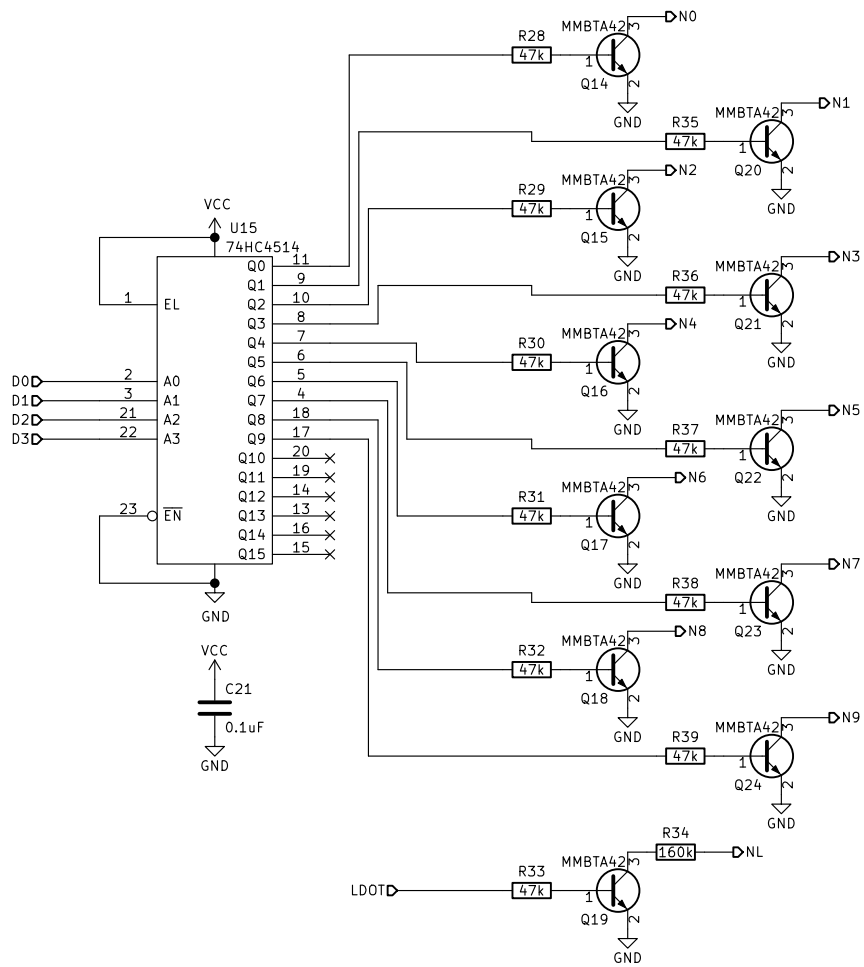


Copyright © John Tsiombikas <nuclear@member.fsf.org>  
 Free hardware design. License: GNU GPLv3 (or later)  
<https://github.com/jtsiomb/nixiedisp>

Sheet: /nixiedrivers/  
 File: nixiedrivers.sch

**Title: USB nixie tube display**

|                                     |                  |         |
|-------------------------------------|------------------|---------|
| Size: A4                            | Date: 2021-01-19 | Rev: 2  |
| KiCad E.D.A. kicad 5.1.8+dfsg1-1+b1 |                  | Id: 2/8 |

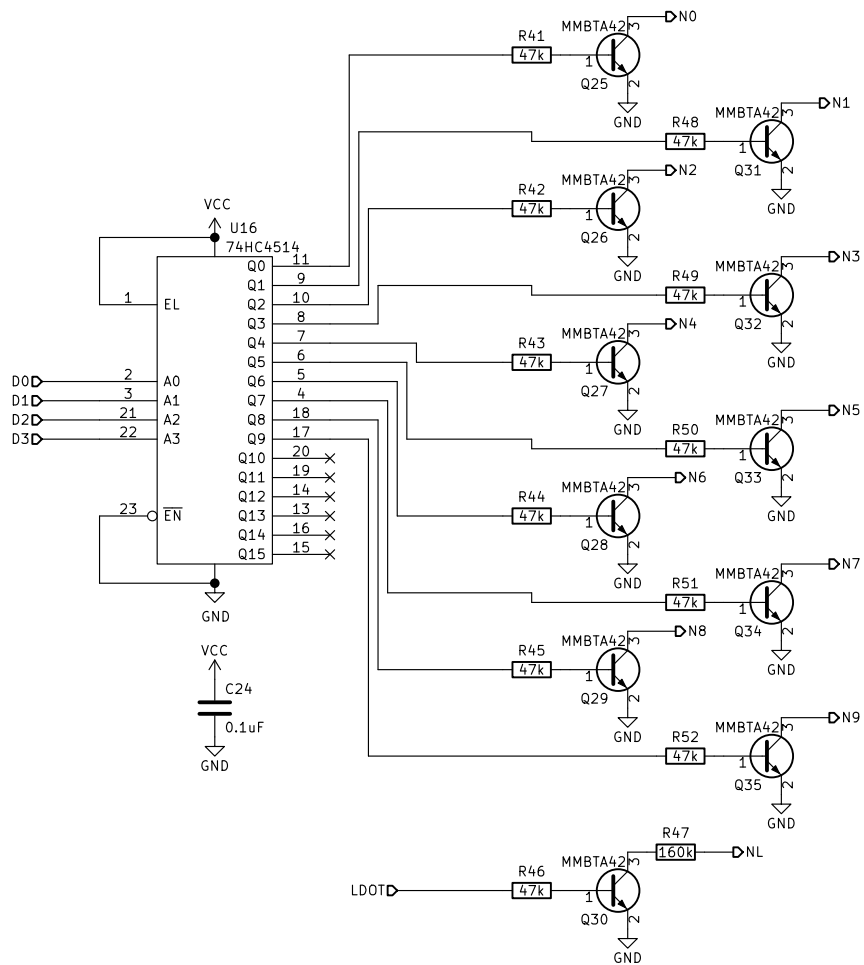


Copyright © John Tsiombikas <nuclear@member.fsf.org>  
 Free hardware design. License: GNU GPLv3 (or later)  
<https://github.com/jtsiomb/nixiedisp>

Sheet: /nixiedrivers2/  
 File: nixiedrivers.sch

**Title: USB nixie tube display**

|                                     |                  |               |
|-------------------------------------|------------------|---------------|
| Size: A4                            | Date: 2021-01-19 | <b>Rev: 2</b> |
| KiCad E.D.A. kicad 5.1.8+dfsg1-1+b1 |                  | Id: 3/8       |

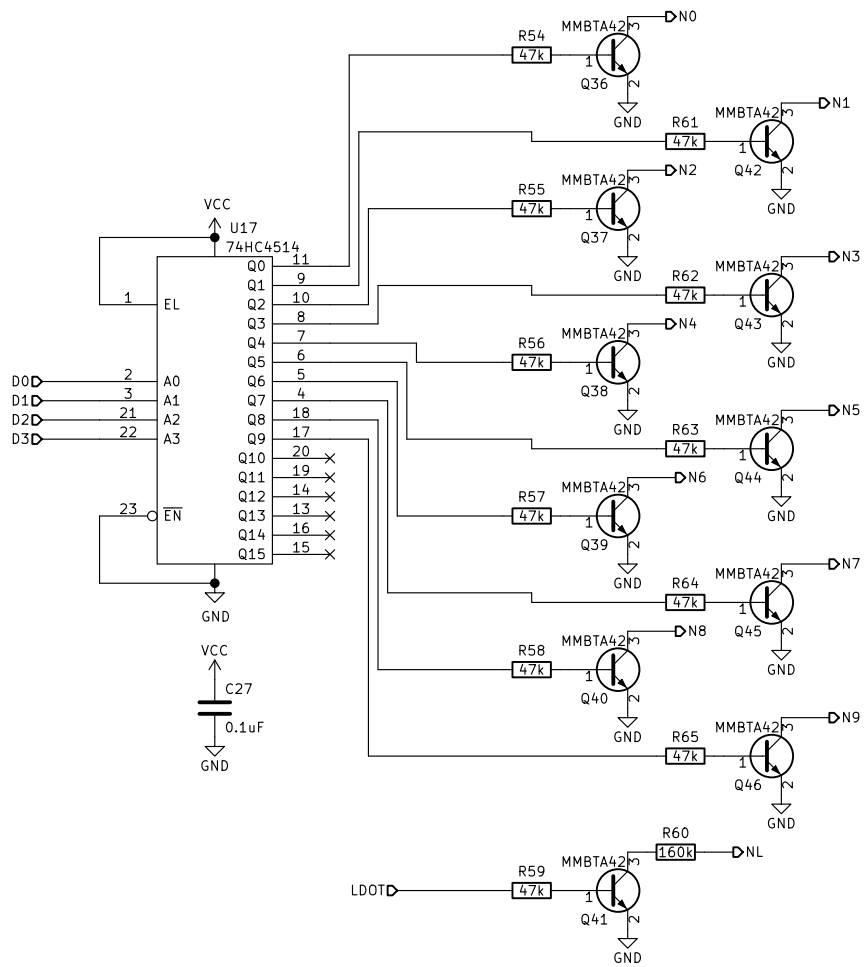


Copyright © John Tsiombikas <nuclear@member.fsf.org>  
 Free hardware design. License: GNU GPLv3 (or later)  
<https://github.com/jtsiomb/nixiedisp>

Sheet: /nixiedrivers3/  
 File: nixiedrivers.sch

**Title: USB nixie tube display**

|                                     |                  |               |
|-------------------------------------|------------------|---------------|
| Size: A4                            | Date: 2021-01-19 | <b>Rev: 2</b> |
| KiCad E.D.A. kicad 5.1.8+dfsg1-1+b1 |                  | Id: 4/8       |

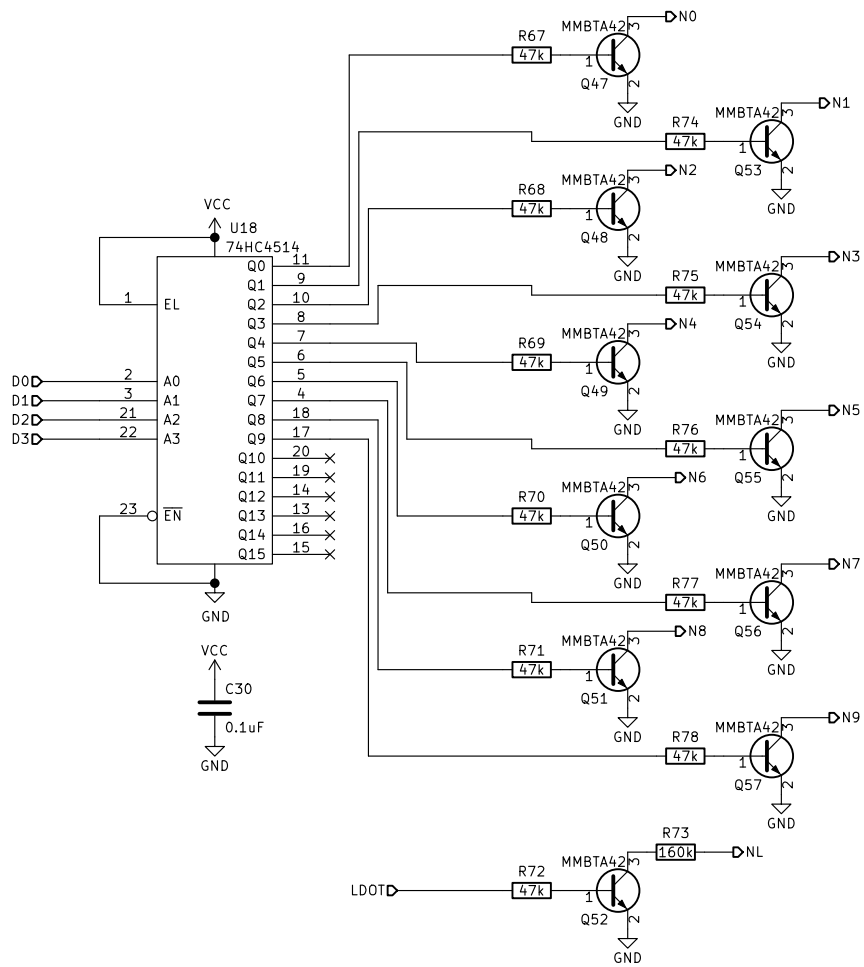


Copyright © John Tsiombikas <nuclear@member.fsf.org>  
 Free hardware design. License: GNU GPLv3 (or later)  
<https://github.com/jtsiomb/nixiedisp>

Sheet: /nixiedrivers5/  
 File: nixiedrivers.sch

**Title: USB nixie tube display**

|                                     |                  |         |
|-------------------------------------|------------------|---------|
| Size: A4                            | Date: 2021-01-19 | Rev: 2  |
| KiCad E.D.A. kicad 5.1.8+dfsg1-1+b1 |                  | Id: 5/8 |

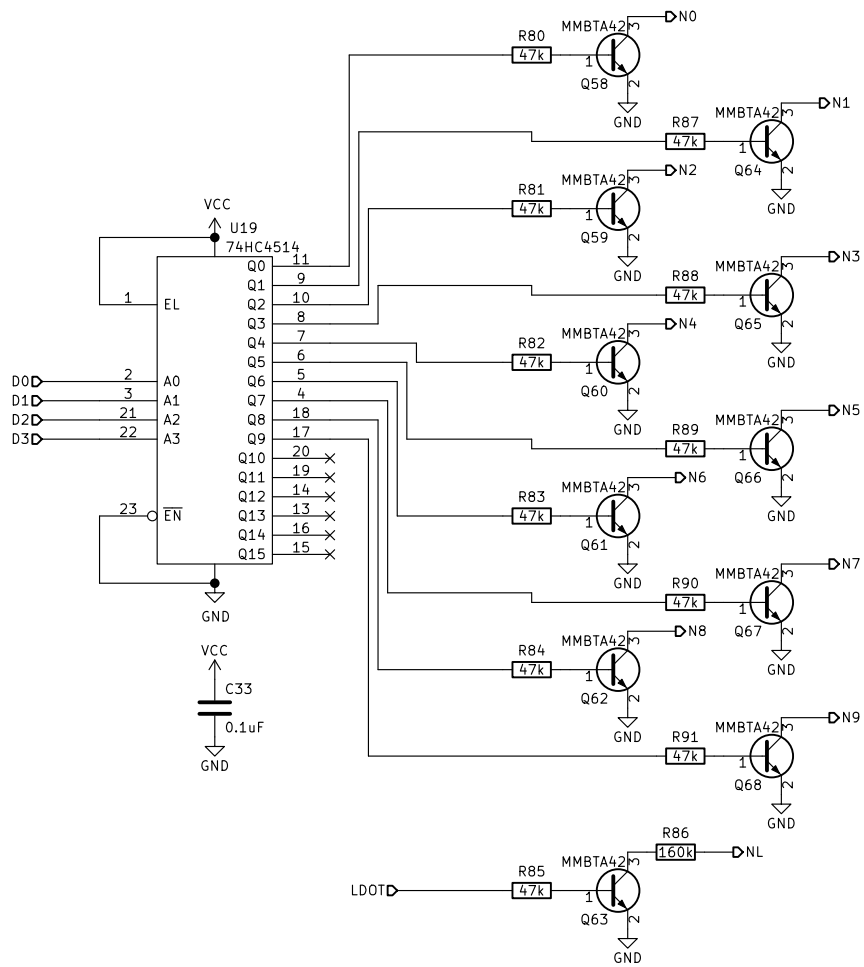


Copyright © John Tsiombikas <nuclear@member.fsf.org>  
 Free hardware design. License: GNU GPLv3 (or later)  
<https://github.com/jtsiomb/nixiedisp>

Sheet: /nixiedrivers6/  
 File: nixiedrivers.sch

**Title: USB nixie tube display**

|                                     |                  |         |
|-------------------------------------|------------------|---------|
| Size: A4                            | Date: 2021-01-19 | Rev: 2  |
| KiCad E.D.A. kicad 5.1.8+dfsg1-1+b1 |                  | Id: 6/8 |

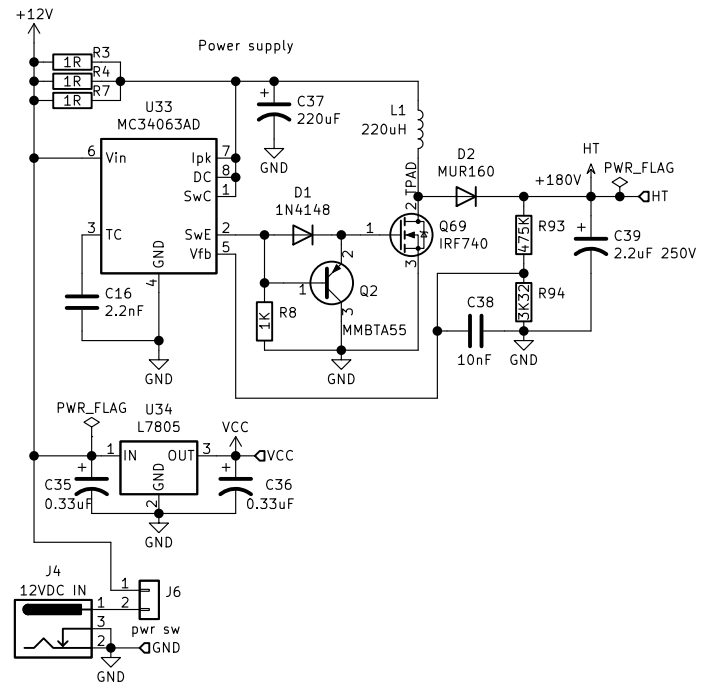


Copyright © John Tsiombikas <nuclear@member.fsf.org>  
 Free hardware design. License: GNU GPLv3 (or later)  
<https://github.com/jtsiomb/nixiedisp>

Sheet: /nixiedrivers4/  
 File: nixiedrivers.sch

**Title: USB nixie tube display**

|                                     |                  |         |
|-------------------------------------|------------------|---------|
| Size: A4                            | Date: 2021-01-19 | Rev: 2  |
| KiCad E.D.A. kicad 5.1.8+dfsg1-1+b1 |                  | Id: 7/8 |



Copyright © John Tsiombikas <nuclear@member.fsf.org>  
 Free hardware design. License: GNU GPLv3 (or later)  
<https://github.com/jtsiomb/nixiedisp>

Sheet: /pwrsupply/  
 File: pwrsupply.sch

**Title: USB nixie tube display**

|                                     |                  |         |
|-------------------------------------|------------------|---------|
| Size: A4                            | Date: 2021-01-19 | Rev: 2  |
| KiCad E.D.A. kicad 5.1.8+dfsg1-1+b1 |                  | Id: 8/8 |